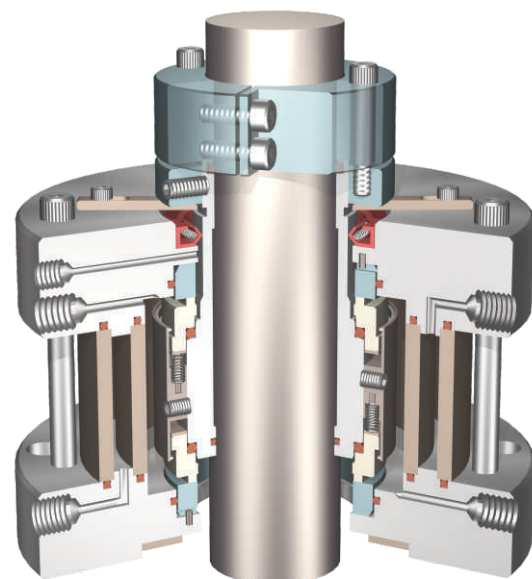


DSSDB DOUBLE DUAL BALANCED CARTRIDGE SEAL

- DUAL BALANCED SEALS WITH AUTO-REVERSAL FOR MAXIMUM SAFETY
- COOLING JACKET A STANDARD FEATURE
- HYDRAULICALLY BALANCED & STRESS FREE STATIONARY FACES
- TORQUE TRANSMISSION WITH SHRINK DISK
- SPLIT CLAMPING AVOIDS SHAFT DAMAGE (OPTIONAL)

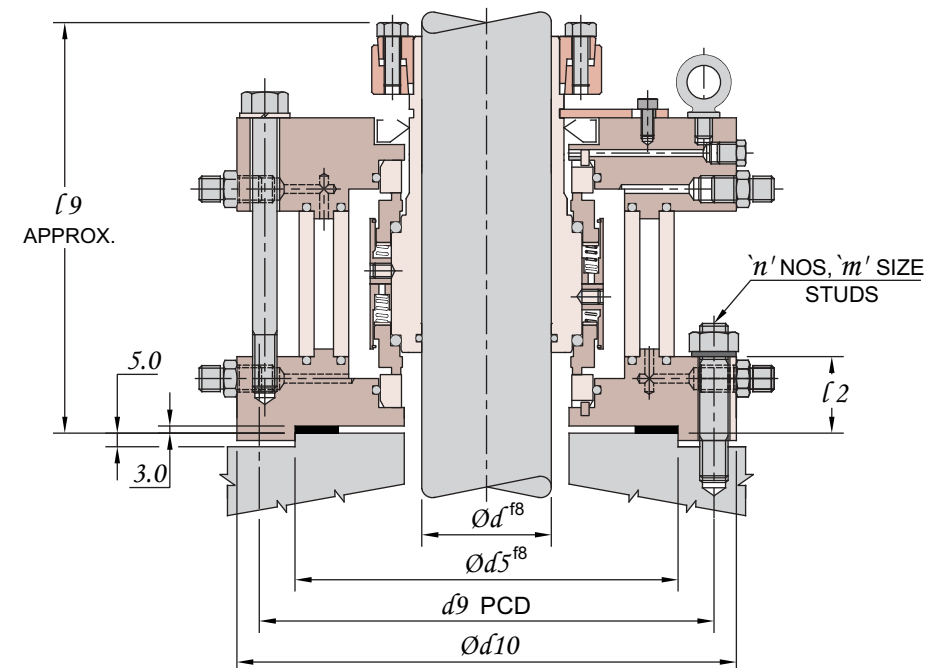


APPLICATIONS :

- HYDROGENATORS
- AMMONIFICATION REACTORS
- ETHOXYLATION REACTORS
- FOR HIGH PRESSURE LOW SPEED AUTOCLAVES



INSTALLATION DIMENSIONS



SIZE CODE	d	$d5$	$d9$ PCD	$d10$	$l2$	$l9$	m	n
0300	30.0	145.0	175.0	200.0	32.0	200.0	M12	8
0400	40.0	160.0	200.0	220.0	35.0	200.0	M12	8
0500	50.0	160.0	200.0	220.0	35.0	215.0	M12	8
0600	60.0	170.0	210.0	240.0	37.0	220.0	M16	8
0700	70.0	180.0	230.0	260.0	40.0	220.0	M16	8
0800	80.0	190.0	240.0	275.0	40.0	220.0	M20	8
0900	90.0	200.0	255.0	290.0	38.0	220.0	M20	8
1000	100.0	240.0	300.0	340.0	37.0	220.0	M20	8
1100	110.0	250.0	300.0	340.0	40.0	220.0	M20	8
1200	120.0	275.0	320.0	360.0	40.0	230.0	M20	8
1300	130.0	270.0	340.0	380.0	45.0	230.0	M20	12
1400	140.0	270.0	340.0	380.0	40.0	245.0	M20	12
1500	150.0	313.0	350.0	385.0	45.0	255.0	M20	12
1600	160.0	320.0	360.0	400.0	48.5	270.0	M20	12

Dimensions for higher sizes available on request

LIMITING PARAMETERS

PRESSURE	TEMPERATURE	SPEED
FULL VACUUM TO 40 BAR	- 40° C TO 200° C*	2 m/sec

* For higher temperatures consult HI-FAB

MATERIALS

METAL PARTS	SEAL FACES		SEAL TYPE	ELASTOMERS
	ROTARY	STATIONARY		
SS316	CARBON	SiC, TC	DSSDBT	PTFE
SPECIAL MOC ON REQUEST	SiC	SiC	DSSDB	VITON, FFKM EPR, AFLAS

DESIGN VARIATIONS

